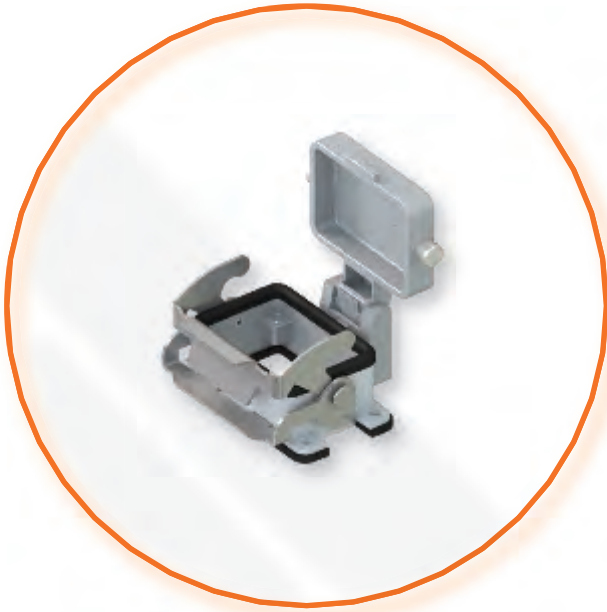


IP67 enclosures with 1 or 2 levers and cover

Stainless steel lever, vertical closing



**IP67 ENCLOSURES
WITH COVER,
BULKHEAD OR SURFACE
MOUNTING HOUSINGS**

**HINGED
COVER
AND
2 LEVERS**





inserts:	page:
CDD 24 poles + ⊕	67 *
CDS 9 poles + ⊕	78 *
CDSH 9 poles + ⊕	9 **
CSH 6 poles + ⊕	91 *
CNE, CSE 6 poles + ⊕	104 *
CCE 6 poles + ⊕	110 *
CSS 6 poles + ⊕	122 *
CT, CTSE (16A) *	130 *
CQE 10 poles + ⊕	138 *
MIXO 2 modules	179 - 215 *

*) can be used only in bulkhead mounting housings

* refer to catalogue page CN.16
 ** refer to catalogue page News 2016

insert centre distance:
 44 x 27 mm

bulkhead mounting housings with single lever and metal cover



lever in stainless steel



AVAILABLE MAY 2017

surface mounting housings with single lever and metal cover



lever in stainless steel

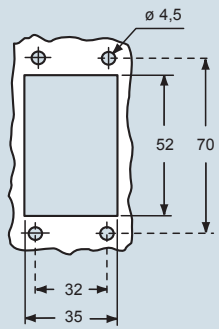


AVAILABLE MAY 2017

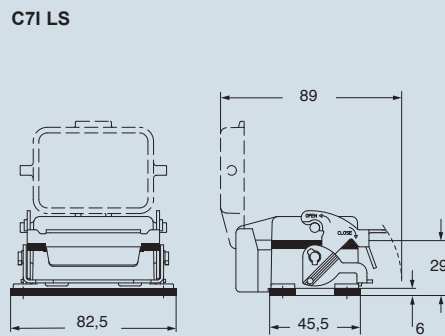
description	part No.
with lever and cover, size "44.27"	C7I 06 LS
with lever and cover, size "44.27"	
with lever and cover, high construction, size "44.27"	
with lever and cover, high construction, size "44.27"	
with lever and cover, high construction, size "44.27"	
with lever and cover, high construction, size "44.27"	

part No.	entry
	M
M7P 06 LS20	20
M7P 06 LS220	20 x 2
M7AP 06 LS32	32
M7AP 06 LS232	32 x 2
M7AP 06 LS40	40
M7AP 06 LS240	40 x 2

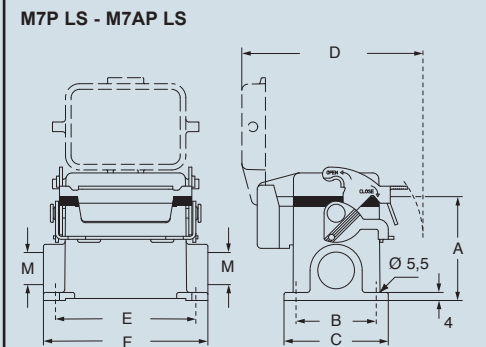
panel cut-out for bulkhead mounting housings in mm



dimensions in mm



dimensions in mm



The new lever, due to the vertical closing movement, offers an IP66/IP67 protection rating (according to EN 60529) when fitted with a complete and coupled connector and used with ILME standard hoods in die cast aluminum with pegs (without adaptor).

For bulkhead mounting housings, IP66/IP67 protection rating is guaranteed for mounting on a sufficiently rigid panel; use M4 screws of suitable length (negligible surface buckling when subjected to tightening torque on the fixing screws of 0,8 - 1,2 Nm or deformation caused by the weight of the complete connector).

In case of insufficient rigidity use of C7.. FL flanges (page 278 catalogue CN.16) is recommended, in which case use suitable length M4 screws and M4 (on the enclosure) and M4 (on the flange) flat/spring washers with M4 locknut.

In addition, the panel surface in contact with the flange gasket of the bulkhead mounting housings must be free from defects (deep scratches, grooves, burrs) that could negatively affect the performance of the gasket.

type	A	B	C	D	E	F
M7P 06 LS	53	40	52	91	70	82
M7AP 06 LS	73	45	57	91	70	82

Hoods:

page 18 **page 304 - 306 catalogue CN.16**

dimensions shown are not binding and may be changed without notice



inserts:		page:
CD	40 poles + ⊕	57 *
CT, CTS (10A) *	40 poles + ⊕	64 *
CDD	72 poles + ⊕	70 *
CDS	27 poles + ⊕	80 *
CDSH	27 poles + ⊕	11 **
CSH	16 poles + ⊕	93 *
CNE, CSE	16 poles + ⊕	106 *
CCE	16 poles + ⊕	112 *
CSS	16 poles + ⊕	124 *
CT, CTSE (16A) *	16 poles + ⊕	132 *
CQE	32 poles + ⊕	140 *
CQEE	40 poles + ⊕	146 *
CMCE, CMSH 6+2 (aux)	poles + ⊕	150-151 *
CP	6 poles + ⊕	162 *
CX	6/12 poles + ⊕	21 **
CX	6/36 and 12/2 poles + ⊕	170-171 *
CX	4/0 and 4/2 poles + ⊕	172 *
MIXO	4 modules	179-215 *

*) can be used only in bulkhead mounting housings

* refer to catalogue page CN.16

** refer to catalogue page News 2016

insert centre distance: 77,5 x 27 mm

bulkhead mounting housings with 2 levers and metal cover

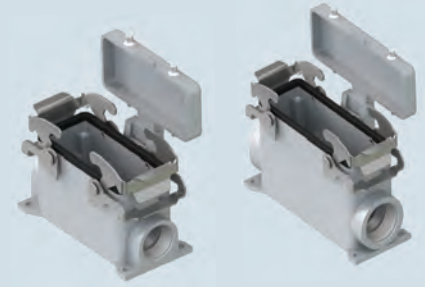


lever in stainless steel



AVAILABLE NOVEMBER 2017

surface mounting housings with 2 levers and metal cover



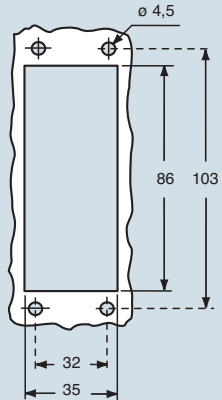
lever in stainless steel



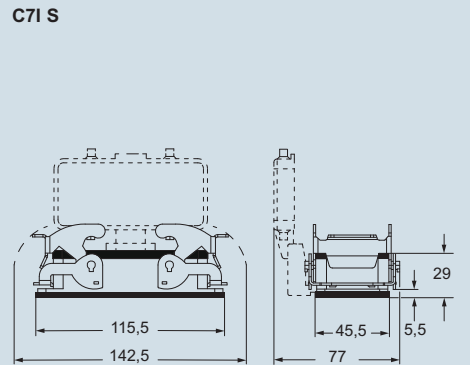
AVAILABLE NOVEMBER 2017

description	part No.
with levers and cover, size "77.27"	C7I 16 S
with levers and cover,, size "77.27"	
with levers and cover,, size "77.27"	
with levers and cover,, high construction, size "77.27"	
with levers and cover,, high construction, size "77.27"	

panel cut-out for bulkhead mounting housings in mm

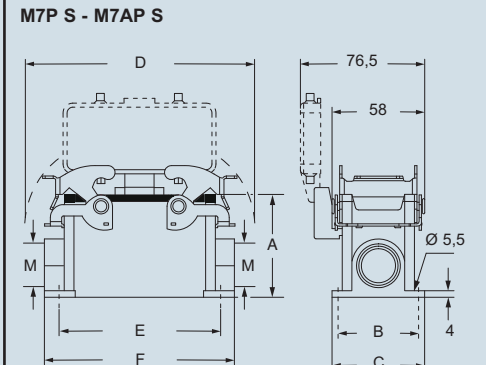


dimensions in mm



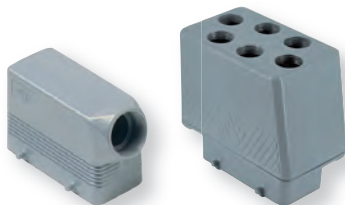
part No.	entry
	M
M7P 16 S25	25
M7P 16 S225	25 x 2
M7AP 16 S32	32
M7AP 16 S232	32 x 2

dimensions in mm



The new lever, due to the vertical closing movement, offers an IP66/IP67 protection rating (according to EN 60529) when fitted with a complete and coupled connector and used with ILME standard hoods in die cast aluminum with pegs (without adaptor).

Hoods:



page 252 catalogue CN.16

page 312 - 315 catalogue CN.16

For bulkhead mounting housings, IP66/IP67 protection rating is guaranteed for mounting on a sufficiently rigid panel; use M4 screws of suitable length (negligible surface buckling when subjected to tightening torque on the fixing screws of 0,8 - 1,2 Nm or deformation caused by the weight of the complete connector).

In case of insufficient rigidity use of C7.. FL flanges (page 278 catalogue CN.16) is recommended, in which case use suitable length M4 screws and M4 (on the enclosure) and M4 (on the flange) flat/spring washers with M4 locknut.

In addition, the panel surface in contact with the flange gasket of the bulkhead mounting housings must be free from defects (deep scratches, grooves, burrs) that could negatively affect the performance of the gasket.

type	A	B	C	D	E	F
M7P 16 S	63	45	57	142,5	105	117
M7AP 16 S	77	45	57	142,5	105	117

dimensions shown are not binding and may be changed without notice



inserts:		page:
CD	64 poles + ⊕	59 *
CT, CTS (10A) *) ..	64 poles + ⊕	65 *
CDD	108 poles + ⊕	72 *
CDS	42 poles + ⊕	81 *
CDSH	42 poles + ⊕	12 **
CSH	24 poles + ⊕	94 *
CNE, CSE	24 poles + ⊕	107 *
CCE	24 poles + ⊕	113 *
CSS	24 poles + ⊕	125 *
CT, CTSE (16A) *)	24 poles + ⊕	133 *
CQE	46 poles + ⊕	141 *
CQEE	64 poles + ⊕	147 *
CMCE	10+2 (aux) poles + ⊕	152 *
CMSH	10+2 (aux) poles + ⊕	153 *
CX	4/8 and 6/6 poles + ⊕	173 and 175 *
MIXO	6 modules	179-215 *

*) can be used only in bulkhead mounting housings

* refer to catalogue page CN.16

** refer to catalogue page News 2016

insert centre distance: 104 x 27 mm

bulkhead mounting housings with 2 levers and metal cover

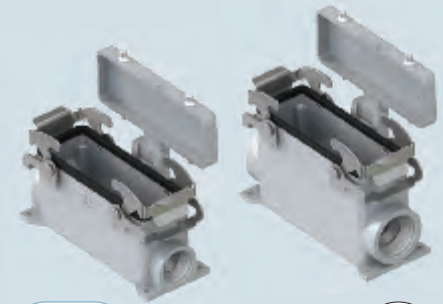


lever in stainless steel



AVAILABLE NOVEMBER 2017

surface mounting housings with 2 levers and metal cover



lever in stainless steel

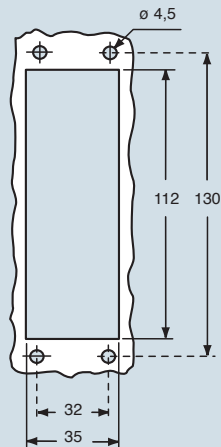


AVAILABLE NOVEMBER 2017

description	part No.
with levers and cover, size "104.27"	C7I 24 S
with levers and cover, size "104.27"	
with levers and cover, high construction, size "104.27"	
with levers and cover, high construction, size "104.27"	

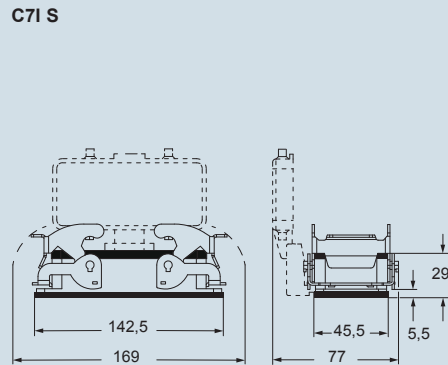
part No.	entry
	M
M7P 24 S25	25
M7P 24 S225	25 x 2
M7AP 24 S32	32
M7AP 24 S232	32 x 2

panel cut-out for bulkhead mounting housings in mm

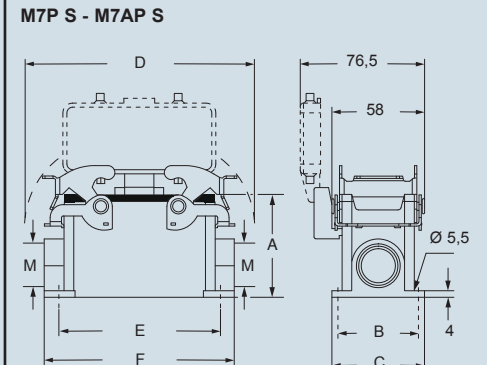


The new lever, due to the vertical closing movement, offers an IP66/IP67 protection rating (according to EN 60529) when fitted with a complete and coupled connector and used with ILME standard hoods in die cast aluminum with pegs (without adaptor).

dimensions in mm



dimensions in mm



type	A	B	C	D	E	F
M7P 24 S	63	45	57	169	132	144
M7AP 24 S	80	45	57	169	132	144

For bulkhead mounting housings, IP66/IP67 protection rating is guaranteed for mounting on a sufficiently rigid panel; use M4 screws of suitable length (negligible surface buckling when subjected to tightening torque on the fixing screws of 0,8 - 1,2 Nm or deformation caused by the weight of the complete connector).

In case of insufficient rigidity use of C7.. FL flanges (page 278 catalogue CN.16) is recommended, in which case use suitable length M4 screws and M4 (on the enclosure) and M4 (on the flange) flat/spring washers with M4 locknut.

In addition, the panel surface in contact with the flange gasket of the bulkhead mounting housings must be free from defects (deep scratches, grooves, burrs) that could negatively affect the performance of the gasket.

Hoods:



page 260 catalogue CN.16

page 316 - 319 catalogue CN.16

dimensions shown are not binding and may be changed without notice